

TABLE OF CONTENTS

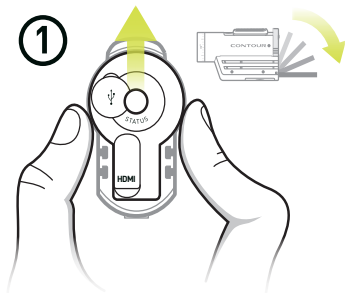
QUICK START GUIDE	2
CAMERA OVERVIEW	4
SETTING UP	6
HOW TO USE	14
CAUTIONS AND WARRANTY	21
CONTACT	26

CONTOUR+2

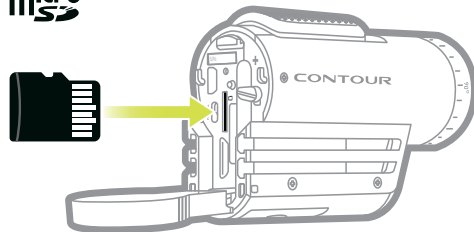
USER MANUAL

Quick Start

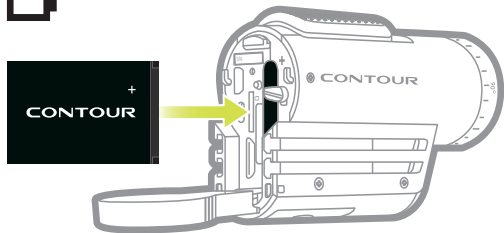
- 1 Slide the door up to open.
- 2 Insert the microSD card.
- 3 Insert the battery.
- 4 Slide the Record Slider forward to record. Slide it back to stop recording.



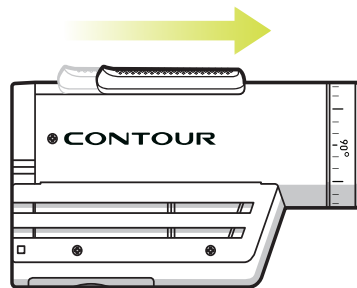
2 **microSD**



3 

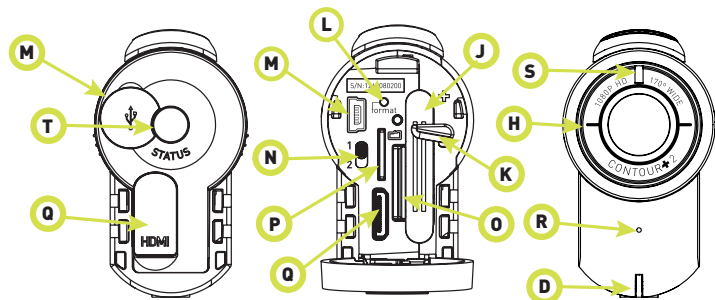
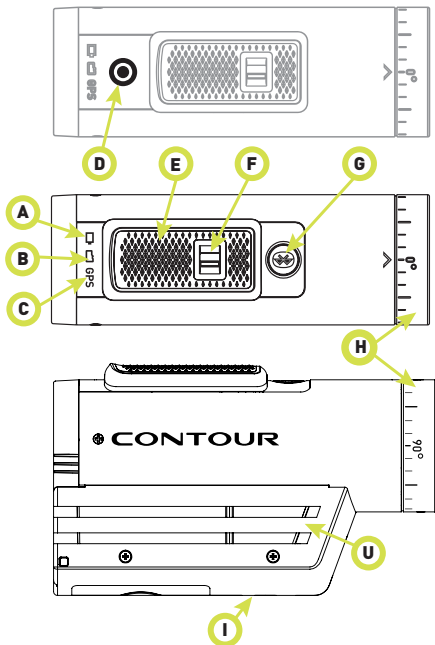


4  **REC**



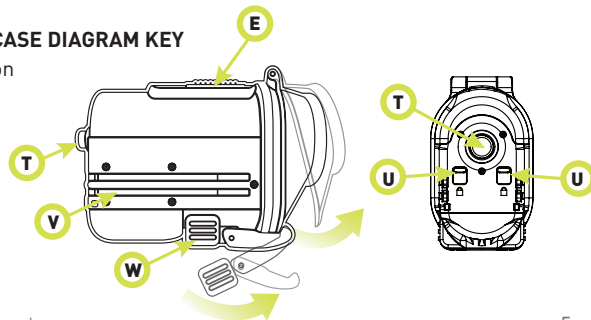
CAMERA DIAGRAM KEY

- A Battery Status
- B Memory Status
- C GPS Status
- D Record Status
- E Record Slider
- F Record Slider Lock
- G Bluetooth Button and Status
- H Rotating Lens
- I Microphone Jack
- J Battery Slot
- K Battery Latch
- L Card Format Button
- M USB Port
- N 1-2 Switch
- O Connect View Slot
- P microSD Card Slot
- Q HDMI Port
- R Microphone
- S Laser Line



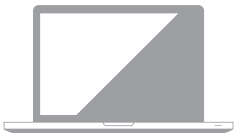
WATERPROOF CASE DIAGRAM KEY

- T Status Button
- U TRails Lock
- V TRails
- W Cover Latch

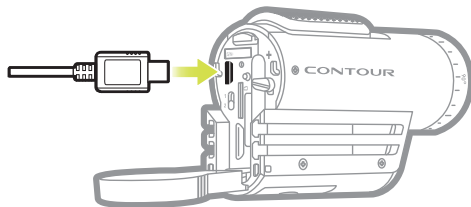


SETTING UP

Download Contour Connect mobile app for your Android or iOS device (available on Google Play and the iTunes App Store) or Contour Storyteller on your PC/Mac. The link below will help you set up your camera to make sure it is registered, ensure your camera has the latest GPS Assist file, update the time on your camera, and get the settings dialed to your custom configuration.

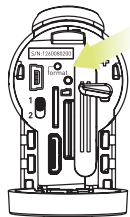


Go to <http://contour.com/startPLUS>



Charging The Battery

- + Slide the door up to open and insert the battery. (As indicated on pg. 2).
- + Connect your camera to a PC/Mac using the supplied USB Cable. (As indicated above).
- + The Battery Status LED indicates the charge level of the battery. It will change colors from red, to yellow, to green as the battery charges.
- + Charge is fully complete when the Battery Status LED turns green. This can take up to three hours.



Do not attempt to format the microSD Card if the battery is not charged. Also do not remove the battery when formatting the microSD Card.

Formatting The microSD Card

Format the microSD Card prior to recording so your camera is able to properly read and write to it. **Caution:** formatting the card will erase everything on it.

Check that the Record Slider is in the off position. Open the back of your camera then press and hold the Format Button until the camera beeps (three to five seconds). The microSD Card LED will flash while the card is formatting and then turn solid green when the format is complete.

The Contour+2 is compatible with:

- + SDSC (standard capacity) microSD Cards up to a capacity of 2GB.
- + SDHC (high capacity) class 4, 6, or 10 microSD Cards up to a maximum capacity of 32GB.

Camera Status

Press and release the Status Button on the back of your camera to activate the Laser Line, and display status of Battery, Memory, and GPS. The camera will power off after 15 seconds or if you press the Status Button again.

Battery Status LED

Green: 50% or more.

Yellow: 20 to 50%.

Red: 20% or less.

Red Flashing: The battery is almost fully discharged.

No LED: The battery is fully drained and must be charged.

Memory Status LED

Green: 50% or more.

Yellow: 20 to 50%.

Red: 20% or less.

Red Flashing and continuous beeps: The microSD Card cannot be read by the camera because the card is full, missing, or not properly formatted.

GPS Status LED

Green Flashing:

Searching for satellites.

Green Solid: GPS Position Fix obtained, and data can be recorded to video.

No LED: The GPS system is deactivated.

Adjusting Camera Settings

1-2 Switch

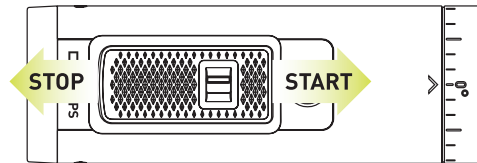
The 1-2 Switch on the back of your camera allows you to preset your Contour+2 with two different configurations that can be easily changed in the field. The settings for each switch position can be set up using Contour Storyteller or by using the Contour Connect mobile app on your Android or iOS device.

Camera Settings

Some of the camera settings you can adjust are: Resolution and Frame Rate, Exposure Level, Sharpness, Contrast, Audio Level, White Balance, GPS Sample Rate, GPS Power, and Auto-Shut Off.

Record times will depend on the quality, capacity of the microSD Card, the resolution you have selected, the battery charge, and the temperature.

Recording



- + **Start Recording:** Move the Record Slider Lock so that the red square is not showing and then slide the Record Slider forward. Your camera will power on, beep once, and the Record Status LED will turn red, indicating that the camera is now recording a video.
- + **Stop Recording:** Slide the Record Slider back. Your camera will beep twice, and the Record Status LED will switch off, indicating that your camera has stopped recording and is powered off.
- + **Record Slider Lock:** The small switch on top of the Record Slider is used to keep the Record Slider from turning on or off. To move the Record Slider forward or back, have the Record Slider Lock moved so that the red square is not showing. To prevent the Record Slider from moving in either the record or off positions, move the Record Slider Lock so that the red square is visible.

Mounting Your Camera

Getting the best shot depends only on your creativity. Contour offers a wide range of mounts that let you put the camera just about anywhere, so be creative.

Remember that your Contour+2 has a wide-angle lens and objects that are far away will seem smaller than you expect in your videos.

Alignment

Your Contour+2 has a Laser Line that helps ensure you have the horizon properly aligned in your videos. To use, activate the Laser Line by pressing the Status Button; place your hand in front of the Laser Line or aim it on to a flat surface a few feet in front of you and rotate the lens (up to 270°) until the Laser Line is horizontal.

Use the Contour Connect mobile app to see a live preview of your shot via Bluetooth connection on your Android or iOS device.

When mounting the camera on your helmet or goggles, you may discover that you look down more than you thought. It may take a few practice videos to find the right alignment.

Adhesive Mounts

Clean and dry the mounting surface before applying an adhesive mount. We suggest cleaning the surface with a small amount of alcohol and applying the mount at room temperature. Let the adhesive cure for 24 hours before use.

Waterproof Case

- + Press firmly to position your camera at the back of the case and close the Cover Latch to lock tight.
- + Press the Status Button on the back of the case to activate the camera's Status Button.
- + Start and stop recording with top Record Slider.
- + When using the TRail mounts, engage the TRail Lock on the same side as the mount for extra security.

Waterproof Case Maintenance & Storage

Inspect the rubber seal for damage prior to each use. Keep the rubber seal free of dirt and do not use sharp objects to remove the rubber seal. Store your Waterproof Case unlatched to avoid damage to the rubber seal, and never store it in direct sunlight. After salt-water use, soak the case in fresh water for up to an 1 hour.

USING YOUR GPS

Your Contour+2 has a GPS Receiver built in to capture your current location, speed, and elevation with every video.

How it Works

Whenever you press the Status Button, the Bluetooth Button, or begin recording, the GPS Receiver is turned on and begins calculating a Position Fix for your current position. As soon as it has a Position Fix your Contour+2 can start recording GPS data.

Your Contour+2 will still record video even if the GPS system has not obtained a Position Fix. However, no GPS data will be captured until the Contour+2 has obtained a Position Fix.

Getting a Position Fix

Getting a Position Fix for the first time each day takes at least 40 seconds, and may take longer in less optimal conditions. After an initial Position Fix has been obtained, it will be easier for your camera to get a Position Fix again later that same day.

Pressing the Status Button turns the GPS on for a few minutes to help ensure that GPS data will be captured before you begin recording. The GPS Status LED will change from flashing to solid green when a Position Fix is obtained. A flashing green LED means it is still trying to get a Position Fix.

You can also reduce the time it takes to get an initial Position Fix by connecting the camera to Contour Storyteller or the Contour Connect mobile app. This allows a GPS Assist file to be installed onto the camera. The file contains current data that can help the GPS system obtain an initial Position Fix faster (often 10 seconds or less). Once the GPS Assist file is installed it is valid for up to 14 days. After this you will need to connect to Contour Storyteller or the Contour Connect mobile app again to get a new GPS Assist file.

If your Contour+2 has obtained a Position Fix within the last two to four hours and a charged battery has remained in the camera, then the camera will typically obtain a Position Fix again within a few seconds of pressing the Status Button or sliding the Record Slider forward. If the battery has been removed or completely drained, the camera will have to start from scratch to obtain a Position Fix.

HOW TO GET THE BEST GPS PERFORMANCE

Your Contour+2 is most efficient in obtaining a Position Fix when it is under an open sky. Some factors that can improve the camera's ability to get a Position Fix include:

- + Be outdoors. GPS will not work indoors or under overhead obstructions.
- + Avoid tall buildings, cliffs, or objects blocking the view to the sky or horizon.
- + Avoid being in a natural or urban canyon where the satellite signals can bounce around before getting to the camera.
- + Stay out from under trees with thick foliage overhead.
- + Keep the camera stationary until a Position Fix is acquired.
- + Do not have the Record Slider (where the GPS antenna is located) obscured by clothing, other equipment, or the user's body.
- + Make sure that no other devices nearby are emitting electronic noise that could interfere with the camera's antenna.
- + Connect the camera to Contour Storyteller or the Contour Connect mobile app so that it can get an updated GPS Assist file.

Troubleshooting the GPS system

Under ideal conditions (**see Getting A Position Fix pg 14**), your Contour+2 can obtain an initial Position Fix within 10 seconds. If your camera has not obtained a Position Fix within two minutes, follow these steps:

- + Connect to Contour Storyteller or the Contour Connect mobile app to install the latest GPS Assist file to the camera.
- + Take your Contour+2 outside and ensure you're under an open sky.
- + Press and release the Status Button.
- + The GPS Status LED will flash green and should turn solid green within 40 seconds.

ADDITIONAL FEATURES

Bluetooth

The Contour+2 allows you to connect to your iOS and Android devices right out of the box via Bluetooth 2.1 + EDR, and a Connect View card pre-installed in the camera. Bluetooth can be used to preview your shot, check the status of the camera prior to recording, adjust the camera's settings, and remotely control recording. For additional information about using your camera with Bluetooth, visit <http://contour.com>

External Microphone

In addition to the standard internal microphone, your Contour+2 has a 2.5mm jack on the bottom of the camera that can be used for an external microphone or to capture audio from an airplane or automotive comm system.

Since many external mics and comm systems use a 3.5mm jack, we have included a small adaptor cable with the Contour+2 that will convert from 3.5mm to 2.5mm.

The mic jack is located on the bottom of the camera under a small rubber cover. Pull that cover open and insert your mic plug or the mic adaptor. The gain level for the external mic can be set in Contour Storyteller or using the Contour Connect mobile app.

You can use many types of microphones with the Contour+2 and different mics work better for different conditions. This is not a powered port. If you wish to use a powered mic, the mic will need to use an external power source.

Live Streaming / Playback

The Contour+2 has the ability to stream HD video using the HDMI port on the back of the camera. This allows the camera to connect to a wireless transmitter or any other HDMI capable device and provide a real time view from the camera.

- + Connect an HDMI cable between the camera's HDMI port and a video display, recorder, or transmitter.
- + When the camera is powered on by pressing the Status Button or sliding the Record Switch forward, video will start streaming through the HDMI port. The video will continue to stream while the camera is recording.
- + To play back video, connect an HDMI cable between the camera's HDMI port and an HDMI display. Use the Status Button and Record Slider or the Contour Connect mobile app, to select and play movies directly from the camera.
- + For additional information on how to use the live streaming and play back features, visit [http:// help.contour.com](http://help.contour.com)

Downloading Files Directly From The Camera

In addition to using Contour Storyteller to download videos from your camera, this can also be done manually without the use of Contour Storyteller.

- + Connect the camera to any PC or Mac using the supplied USB cable.
- + The camera will be listed as a removable device.
- + Navigate to the camera on your computer.
- + Video and still image files are located in the **\DCIM\100MEDIA** directory. Video files can be copied to your computer and played with any .MOV video player (e.g. QuickTime, Windows Media Player (Windows 7 only), Storyteller, or VLC).

Caring for your Camera

The Contour+2 requires very little additional care, but there are a few things you can do to keep your camera running at it's best.

- + Use only a damp, lint-free cloth to clean your camera.
- + Store your camera in a dry location.
- + Do not let dirt or moisture get inside the back door of your camera.
- + Connect your camera to Contour Storyteller or the Contour Connect mobile app to check for any available firmware updates.

CAUTIONS AND WARRANTY

This Important Product Information Guide contains regulatory, safety, handling, disposal and recycling information, as well as the 1 year limited warranty for your Contour+2 camera.

Warning: Failure to follow these safety instructions could result in fire, electric shock, or other injury or damage.

Read all safety information below and operating instructions before using Contour+2 camera to avoid injury. For detailed operating instructions and the latest Important Product Information Guide, go to: <http://contour.com/support>

Battery and Handling

The lithium-ion battery may present a hazard if mistreated. Do not disassemble, crush, or puncture the lithium-ion battery. Do not immerse battery in water and store in a cool dry place when not in use. Do not use or leave battery near a heat source or in direct sunlight. Contour+2 uses a rechargeable lithium-ion, 3.7V, 1050mAh battery. Do not use batteries other than those specifically designed for the Contour+2. Use of any other battery may invalidate the warranty provided by Contour, Inc. and may present a risk of fire or explosion.

Charging

To charge, only use the Contour USB Cable with a high power USB port on a computer or other device that is compliant with the USB 2.0 or 1.1 standards, or a Contour wall, car, or battery charger.

Disposal information

Do not dispose of either the Contour+2 camera or lithium-ion battery in a fire. Dispose of batteries in accordance with local laws and regulations.

Leash Use:

DO NOT ATTACH THE LEASH TO THE CAMERA WHEN THE CAMERA IS MOUNTED ON HELMET OR GOGGLES, WHEN THE CAMERA WILL BE USED IN HIGH WINDS OR AT HIGH VELOCITIES, OR IN ANY OTHER CIRCUMSTANCES WHEREBY THE CAMERA COULD CAUSE INJURY OR HARM IN THE EVENT THAT IT COMES LOOSE FROM THE MOUNT AND REMAINS TETHERED BY THE LEASH. BY ATTACHING THE LEASH TO THE CAMERA, YOU AGREE TO WAIVE ANY CLAIMS AGAINST CONTOUR, INC. AND ANY OF ITS AFFILIATES, AGENTS, EMPLOYEES, OFFICERS OR DIRECTORS ARISING FROM THE USE OF THE LEASH.

Correct Disposal of this product

This marking indicates that this product should not be disposed with other household wastes throughout the U.S. To prevent possible harm to the environment or human health from uncontrolled waste disposal, recycle it responsibly to promote the sustainable reuse of material resources. To return your used device, please use proper return and collection systems or contact the retailer where the product was purchased. They can take this product for environmental safe recycling.

**FCC information**

Contour+2 Camera
Model: 1700

This device complies with
Part 15 of the FCC Rules.

**Bluetooth information**

FCC ID: Q0QWT21A
IC ID: 5123A-BGTWT21N
ACN: 135 810 098



Operation is subject to the following two conditions:

- + Device may not cause harmful interference
- + Device must accept any interference received, including interference that may cause undesired operation.

Warning:

Changes or modification to this unit not expressly approved by party responsible for compliance could void the user's authority to operate the equipment. Note: This equipment has been tested and found to comply with the limits for a Class B digital device, pursuant to Part 15 of the FCC Rules. These limits are designed to provide reasonable protection against harmful

interference in a residential installation.

This equipment generates, uses, and can radiate radio frequency energy and if not installed and used in accordance with instructions, it may cause harmful interference to radio communications. There is no guarantee that interference will not occur in a particular installation. If this equipment does cause harmful interference to radio or television reception, which can be determined by turning the equipment off and on, the user is encouraged to try to correct the interference by one or more of the following measures:

- + Reorient or relocate the receiving antenna.
- + Increase separation between equipment and receiver.
- + Connect the equipment into an outlet on a circuit different from that to which the receiver is connected.
- + Consult the dealer or an experienced radio/TV technician for help.



The CE symbol on your Contour+2 camera indicates that it is in compliance with the Electromagnetic Compatibility (EMC) directive, and Limits and Methods of Measurement of Radio Interference Characteristics of ITE.

Industry Canada

This Class B device meets all requirements of the Canadian Interference-Causing Equipment Regulations. Cet appareil numérique de la classe B respecte toutes les exigences du Règlement sur le matériel brouilleur du Canada.

Repairing or Modifying

Never attempt to repair or modify a Contour+2 camera yourself. Disassembling Contour+2 camera, including the removal of external screws, may cause damage that is not covered under the warranty. The Contour+2 camera does not contain any user-replaceable parts, except the microSD Card and battery.

Laser Notice

Contour+2 is a Class II laser device. Laser radiation is emitted from the Contour+2 when using the Laser Line for alignment. Please use caution and do not stare directly into the beam or point it at others.

RoHS

Contour+2 cameras comply with the European Union's RoHS directive 2002/95/EC and similar regulations that may be adopted by other countries for European Sales.

CONTOUR, INC. LIMITED WARRANTY Contour, Inc. ("Manufacturer") warrants to the original end user ("Purchaser") that for the one year ("Warranty Period"), the Contour+2 camera (excluding any third party software) and accessories ("Product") will be free from defects in materials and workmanship when properly installed and used for its intended purpose and in its intended operating environment. This warranty does not apply to any Product that has been: (i) altered, repaired or modified or (ii) damaged or destroyed by accidents or similar events or by any intentional, reckless or negligent acts or omissions of any party. In the event of a defect, return the Product to the original place of purchase or Manufacturer, but only after instructed to do so by Manufacturer. Purchaser shall ship and bear the cost of shipping the Product to Manufacturer and Manufacturer shall bear the cost of shipping the Product back to Purchaser after the completion of service under this limited warranty. Purchaser's exclusive remedy and Manufacturers entire liability under this warranty will be for Manufacturer at its option to repair or replace the Product or refund purchase price less any rebates. Manufacturer does not warrant

against loss of any data (including data stored on Product returned to Manufacturer for service), and assumes no liability for such loss. Purchaser assumes all liability, and as such releases Manufacturer from any liability, for any accident, injury, damage, death, loss, illegal activity or any other claim that may occur resulting from or during use of the Product, whether or not such use is foreseeable by Manufacturer.

ALL IMPLIED WARRANTIES OF MERCHANTABILITY OR FITNESS FOR A PARTICULAR PURPOSE ARE LIMITED TO THE DURATION OF THE APPLICABLE EXPRESS WARRANTY. ALL OTHER EXPRESS OR IMPLIED CONDITIONS, REPRESENTATIONS AND WARRANTIES, INCLUDING ANY IMPLIED WARRANTY OF NON-INFRINGEMENT, ARE DISCLAIMED. Some jurisdictions do not allow limitations on how long an implied warranty lasts, so the above limitation may not apply to Purchaser. This warranty gives Purchaser specific legal rights, and Purchaser may also have other rights which vary by jurisdiction.

All third party software provided with the Product is provided "AS IS". Purchaser assumes the entire risk as to the quality, performance, accuracy and effect of such software, and should it prove

defective, Purchaser, and not Manufacturer, assumes the entire cost of all necessary servicing or repair.

TO THE EXTENT NOT PROHIBITED BY LAW, IN NO EVENT WILL MANUFACTURER BE LIABLE FOR ANY LOST DATA, REVENUE OR PROFIT, OR FOR SPECIAL, INDIRECT, CONSEQUENTIAL, INCIDENTAL OR PUNITIVE DAMAGES, HOWEVER CAUSED REGARDLESS OF THE THEORY OF LIABILITY, ARISING OUT OF OR RELATED TO THE USE OF OR INABILITY TO USE THE PRODUCT, EVEN IF MANUFACTURER HAS BEEN ADVISED OF THE POSSIBILITY OF SUCH DAMAGES. IN NO EVENT WILL MANUFACTURER'S LIABILITY EXCEED THE AMOUNT PAID BY PURCHASER FOR THE PRODUCT.

The foregoing limitations will apply even if any warranty or remedy provided under this Agreement fails of its essential purpose. Some jurisdictions do not allow the exclusion or limitation of incidental or consequential damages, so the above limitation or exclusion may not apply to Purchaser.

Contour Disclaimer

All purchasers, users, and any or all parties involved or engaging in the use of Contour, Inc. ("Contour") products agree to the following:

- + Contour does not promote or endorse high risk, careless and/or dangerous actions when using its products.
- + Contour is not liable for any use or misuse of Contour Products or any video captured that may be considered illegal.
- + Contour is not responsible for any illegal actions taken while recording, attempting to record, or editing video that was captured with our products.
- + Contour Products' primary purpose is recording legal sports activities as seen by all Local, State, Federal, and Country laws.

Contour Hands-free Camera and/or associated software and other Contour products are protected by copyright, international treaties, and various patents, including: U.S. patents: D616006 and D621435. Other patents are registered or pending in the U.S. and in various countries around the world.

Visit contour.com for a list of applicable patents.

All trademarks and registered trademarks mentioned herein are recognized as the property of their respective holders. Contour+2 is a product of Contour, Inc. in Seattle, Washington. <http://contour.com> ©2012 Contour, Inc. All rights reserved

WE ARE HERE TO HELP

If service is required on your camera or accessory, contact our Technical Support team for troubleshooting and to obtain an RMA Number (Return Materials Authorization) if needed. You may be asked to provide a proof of purchase at this time.

Please do not send any product back to Contour without first obtaining an RMA Number or Sales Return Authorization directly from Contour. Contour will, at its sole discretion, replace or repair the product.

Email: support@contour.com

Web: <http://contour.com/support>